

GPL 12120 12 12

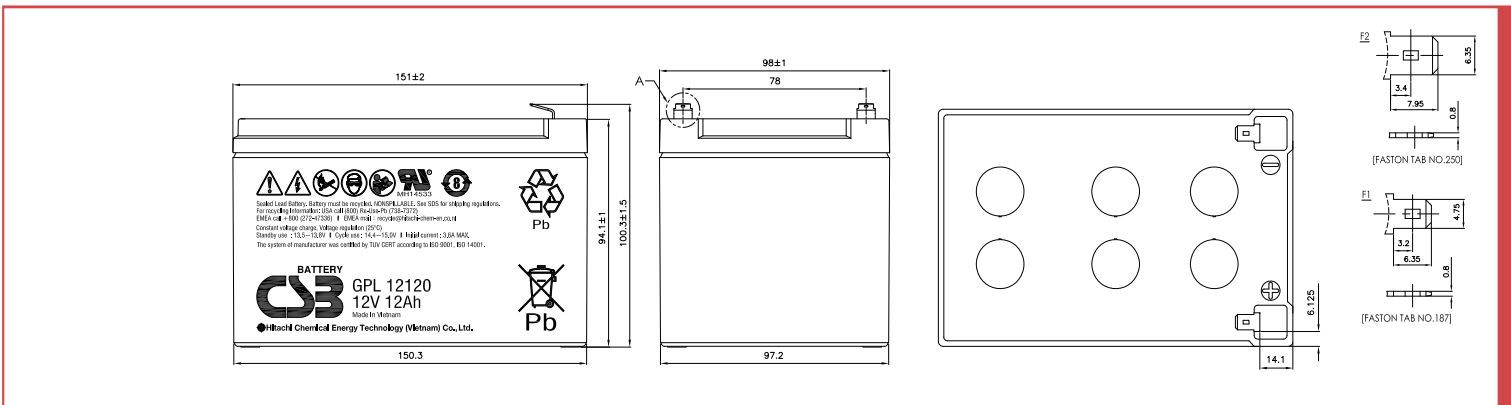
GPL 12120 - 8
(6-9 20° Eurobat)
260 - CSB,
100%



12 (6)			
12A 20-	U	-1.75 /	25°
4.10			
150A/180A (5)			
13.2			
		-15°	+50°
		-15°	+40°
		-15°	+40°
458			
25°			
13.5 - 13.8		25°	
3.6 A ()			
			I _{max}
14.4 - 15.0		25°	
		25°	6- *
F1/F2-Faston Tab 187/250			
ABS (- -)			



151±2.0	98±1.0	94.1±1.0	100.3±1.5
---------	--------	----------	-----------



: A (25°)

U _k /T	5	10	15	30	60	90	2	3	5	8	10	20
1.60	45.7	32.1	23.1	13.5	7.42	5.16	3.99	2.84	1.84	1.25	1.03	0.63
1.67	44.0	31.4	23.0	13.4	7.32	5.11	3.96	2.81	1.83	1.24	1.01	0.62
1.70	42.8	30.8	22.6	13.2	7.27	5.08	3.94	2.80	1.81	1.23	1.00	0.61
1.75	40.3	29.4	21.9	13.0	7.14	5.00	3.88	2.76	1.80	1.22	0.99	0.60
1.80	37.6	27.5	20.7	12.6	6.92	4.87	3.80	2.70	1.77	1.20	0.97	0.59
1.85	33.8	24.8	19.0	11.7	6.55	4.64	3.63	2.59	1.70	1.14	0.93	0.56

: / (25°)

U _k /T	5	10	15	30	60	90	2	3	5	8	10	20
1.60	487	343	258	152	84.6	59.9	46.9	33.4	21.7	14.7	12.2	6.30
1.67	475	339	255	151	84.5	59.7	46.6	33.2	21.6	14.6	12.1	6.24
1.70	466	333	252	150	84.1	59.2	46.1	33.1	21.5	14.5	12.0	6.23
1.75	443	322	246	149	83.5	58.9	46.0	32.9	21.4	14.4	11.8	6.19
1.80	416	306	235	144	81.0	57.4	44.9	32.0	21.0	14.2	11.6	6.09
1.85	380	280	217	135	77.0	54.8	43.0	30.7	20.4	13.7	11.2	5.85